

DS-K6B411TEX
Smart Value Swing Barriers

- Supports AP mode for mobile Web, for Android phones to access more easily by a simple touch via NFC function.
- Supports built-in face recognition camera module on the top of cover, easy and convenient.
- Anti-passback: Supports cross-device anti-passback function, effectively preventing unauthorized personnel from following in.
- WEB management: Supports mobile Web and PC Web management, and can perform operations such as personnel management, parameter configuration, event query, and system maintenance.
- Fire linkage: The equipment has a fire linkage interface. When the fire signal is triggered, the barrier will be open automatically for emergency evacuation.
- Barrier is in free status when powering down, allowing people to pass freely. Super capacitor (optional) can realize automatic door opening in case of power failure.

▪ Specification

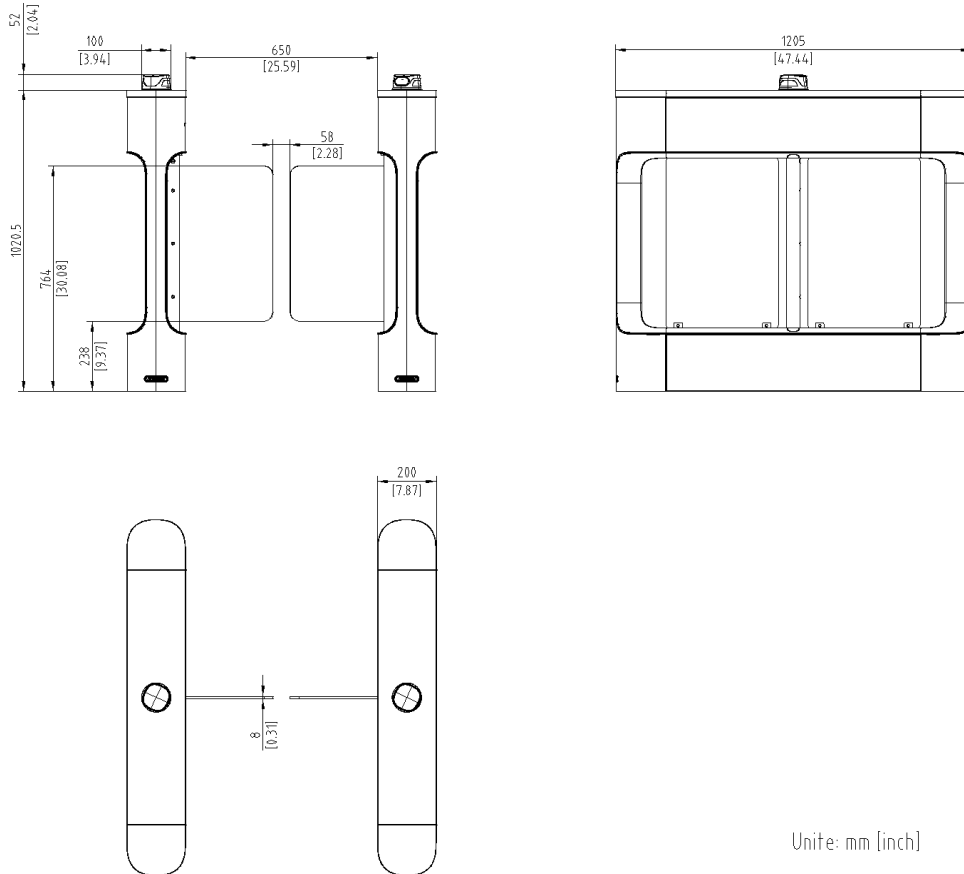
System	
Motor	Brushless Motor
MCBF	≥ 5 million times
Brake	Not support
Laser sensor	6
Video	
Lens	Prime Lens
Video compression standard	H.264
Resolution	2 MP
FOV	Horizontal: 59° Vertical: 108°
WDR	Support
Video standard	PAL by default, support NTSC
Focal length	2.8mm
Aperture	F1.6
Audio	
Audio compression standard	G.711U
Audio compression bitrate	16 Kbps
Audio output	Support
Volume adjustment	Support
Power output	5.5W
Network	
Wired network	Support,10M/100M
Wi-Fi	Support
Interface	
Network interface	2
Lock control	0
Exit button	2
Alarm output	4
RS-485	2
RS-232	0
Wiegand	0
USB	2
Fire alarm input	1
Case input	2
Hardware	
Access controller	Support
Supercapacitor	Support
Network switch	NA
Capacity	
Face capacity	100,000
Card capacity	200,000
Event capacity	100,000

Authentication	
Face recognition distance	0 m to 2 m
Face recognition accuracy rate	> 99%
Face recognition duration	< 200 ms
Card	EM card
Card reading frequency	125 KHz
Card reading distance	3cm
Card reading duration	< 1s
Function	
Configuration via PC Web	Support
Configuration via mobile Web	Support
Hik-Connect	Not support
Multi-factor authentication	Support
Face anti-spoofing	Support
Face mask recognition	Support
Built-in face recognition	Support
Communication protocol	ISAPI
Keyfob	Support, 433 MHz/868 MHz, within 50 m
General	
Lane width	550 mm to 1400 mm (21.65" to 55.12")
Barrier material	8 mm acrylic glass,1.5 mm stainless pipe
Pedestal material	SUS304 stainless steel 1.2 mm
Indicator	Lane status indicator, authentication indicator and barrier light
Power consumption	Side: 80 W; middle: 160 W
Working temperature	-15 °C to 65 °C (-5 °F to 149 °F)
Working humidity	10% to 95% (No condensing)
Protective level	IPX4
Dimensions	Without package: 1205 mm × 199 mm × 1072 mm (47.44" × 7.83" × 42.21") With package: 1405 mm × 345 mm × 1195 mm (55.31" × 13.58" × 47.05")
Weight	Net: Left: 34.42 kg (75.88 lb) Middle: 35.53 kg (78.33 lb) Right: 34.2 kg(75.48 lb) Gross: Left: 41.48 kg (91.45 lb) Middle: 42.59 kg (93.89 lb) Right: 41.26 kg (90.96 lb)
Power supply method	Middle:100-120V~/200-240V~,50Hz/60Hz,1.6A; Side: 100-240V~,50Hz/60Hz,0.8A
Language	English, Japanese, Thai, Indonesian, Russian, Spain (European), Spain (Latin America), Portugal (Brazil), Arabic, Kazakh, Uzbek, Ukraine
Interconnecting cable length	5.5m
Door open duration	5 to 60 sec
Configuration	
Module selection	NO

▪ **Available Model**

DS-K6B411TEX

▪ **Dimension**



Unit: mm [inch]

▪ **Accessory**

▪ **Included**

**DS-K3B411X-
BASE
Fixed Base**



See Far, Go Further



www.hikvision.com
support@hikvision.com

